

*LITTLE WONDER*

# *PRO VAC*

*High Performance Vac*

MODEL:

**5612-00-59**

(S/N: 114000000 and Above)



**MAN 4170968**  
**Rev. A 08-2014**  
Original Language Instructio

Operators Manual 4170969

**SET-UP / PARTS MANUAL**

**CALIFORNIA**

**Proposition 65 Warning**

Diesel engine exhaust and some of its constituents are known to the State of California to cause cancer, birth defects and other reproductive harm.



**WARNING**

The engine exhaust from this product contains chemicals known to the State of California to cause cancer, birth defects or other reproductive harm.

**CALIFORNIA**

**Proposition 65 Warning**

Battery posts, terminals, wiring insulation, and related accessories contain lead and lead compounds, chemicals known to the State of California to cause cancer and birth defects or other reproductive harm.

**WASH HANDS AFTER HANDLING.**

# LITTLE WONDER PRO VAC

## IMPORTANT MESSAGE

On behalf of everyone at Little Wonder, we would like to thank you for your purchase of a Little Wonder Pro Vac. This professional vac was designed to the highest standards to ensure you many hours of uninterrupted service.

This manual provides the information necessary for safe and efficient operation and service. For your safety, it is critically important that you read and understand this entire manual before operating your blower.

**LITTLE WONDER**  
**SCHILLER GROUNDS CARE, INC.**  
**1028 STREET ROAD, P.O. BOX 38**  
**SOUTHAMPTON, PA 18966**

<b>TABLE OF CONTENTS</b>	<b>FIGURES</b>	<b>PAGE</b>
SAFETY.....		4, 5
LABELS.....		6, 7
SET-UP INSTRUCTIONS.....		8, 9
FAN REMOVAL.....		10
PARTS SECTION.....		11
PARTS ASSEMBLY.....		12, 13
COLLECTOR ASSEMBLY.....		14, 15
LINER ASSEMBLY.....		16, 17
NOZZLE ASSEMBLY.....		18, 19
WARRANTY.....		BACK COVER

## NOTICE !!!

Unauthorized modifications may present **extreme** safety hazards to operators and bystanders and could also result in product damage.

Schiller Grounds Care, Inc. strongly warns against, rejects and disclaims any modifications, add-on accessories or product alterations that are not designed, developed, tested and approved by Schiller Grounds Care, Inc. Engineering Department. Any Schiller Grounds Care, Inc. product that is altered, modified or changed in any manner not specifically authorized after original manufacture-including the addition of "after-market" accessories or component parts not specifically approved by Schiller Grounds Care, Inc.-will result in the Schiller Grounds Care, Inc. Warranty being voided.

Any and all liability for personal injury and/or property damage caused by any unauthorized modifications, add-on accessories or products not approved by Schiller Grounds Care, Inc. will be considered the responsibility of the individual(s) or company designing and/or making such changes. Schiller Grounds Care, Inc. will vigorously pursue full indemnification and costs from any party responsible for such unauthorized post-manufacture modifications and/or accessories should personal injury and/or property damage result.



This symbol means:  
**ATTENTION!**  
**BECOME ALERT!**

Your safety and the safety of others is involved.

### Signal word definitions:

The signal words below are used to identify levels of hazard seriousness. These words appear in this manual and on the safety labels attached to Schiller Grounds Care, Inc. machines. For your safety and the safety of others, read and follow the information given with these signal words and/or the symbol shown above.

### **DANGER**

**DANGER** indicates an imminently hazardous situation which, if not avoided, **WILL** result in death or serious injury.

### **WARNING**


**WARNING** indicates a potentially hazardous situation which, if not avoided, **COULD** result in death or serious injury.

### **CAUTION**

**CAUTION** indicates a potentially hazardous situation which, if not avoided, **MAY** result in minor or moderate injury. It may also be used to alert against unsafe practices or property damage.

### **CAUTION**




**CAUTION** used without the safety alert symbol indicates a potentially hazardous situation which, if not avoided, **MAY** result in property damage.



1028 STREET ROAD  
SOUTHAMPTON, PA 18966 U.S.A.

2010 xxxKG xx.xKW  
MODEL DESCRIPTION

MODEL NUMBER

SERIAL NUMBER

**MODEL NUMBER:** This number appears on sales literature, technical manuals and price lists.

**SERIAL NUMBER:** This number appears only on your unit. It contains the model number followed consecutively by the serial number. Use this number when ordering parts or seeking warranty information.

## MAINTENANCE SAFETY

### In general

- Maintain machine according to manufacturer's schedule and instructions for maximum safety and best results.
- Park machine on level ground.
- Never allow untrained personnel to service machine.
- Guards should only be removed by a qualified technician for maintenance or service.
- Adjust or repair only after the engine has been stopped and the fan has stopped moving.
- Disconnect spark plug wire(s) before doing any maintenance.
- Replace parts if worn, damaged or faulty. For best results, always replace with parts recommended by the manufacturer.
- Do not dismantle the machine without releasing or restraining forces which may cause parts to move suddenly.
- Provide adequate support, e.g. jack stands for lifted machine or parts if working beneath.
- Do not put hands or feet near or under rotating parts.
- Clean up spilled oil or fuel thoroughly.
- Replace faulty mufflers.
- To reduce fire hazards, keep the engine, muffler, and fuel storage area free of grass, leaves, debris buildup or grease.

### Fans

Do not straighten or weld fans. Replace damaged or failed fans.

### Fuel

- Petrol (gasoline) and diesel fuels are flammable; petrol (gasoline) vapors are explosive. Use extra care when handling.
- Store only in containers specifically designed for fuel.



- When refueling or checking fuel level:
  - Stop the engine and allow to cool;
  - Do not smoke;
  - Refuel outdoors only;
  - Use a funnel;
  - Do not overfill;
  - If fuel is spilled, do not attempt to start the engine until the spill is cleaned up and vapors have cleared.
- Replace caps on fuel containers and tanks securely.

Sparks from static electricity can start fires or cause explosions. Flowing fuel can generate static electricity. To prevent static electricity sparks:






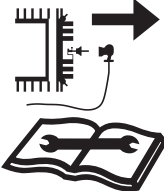

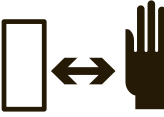

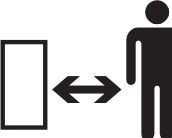
- Keep containers electrically grounded. Do not fill containers in a vehicle or on a truck or trailer bed with a plastic liner. Fill containers on the ground away from the vehicle.
- When practical, remove petrol (gasoline) powered equipment from the truck or trailer and refuel it on the ground. If equipment must be refueled on the truck or trailer, refuel from a portable container rather than a dispenser nozzle.
- Keep the dispenser nozzle in contact with the rim of the fuel tank or container opening until fueling is complete. Do not use a nozzle lock-open device.
- If petrol (fuel) is spilled on clothing change it immediately.

## STORAGE SAFETY

- Stop the engine and allow to cool before storing.
- Drain the fuel tank outdoors only.
- Store fuel in an approved container in a cool, dry place.
- Keep the machine and fuel containers in a locked storage place to prevent tampering and to keep children from playing with them.
- Do not store the machine or fuel container near an open flame, spark, or appliance, such as a water heater, or a pilot light.
- Keep petrol (gasoline) storage area free of grass, leaves and excessive grease to reduce fire hazard.
- Clean grass and debris from cutting units, drives, mufflers and engine to help prevent fires.

## SAFETY DECALS

An important part of the safety system incorporated in this blower are the warning labels found on the blower. Replace labels if damaged or illegible.

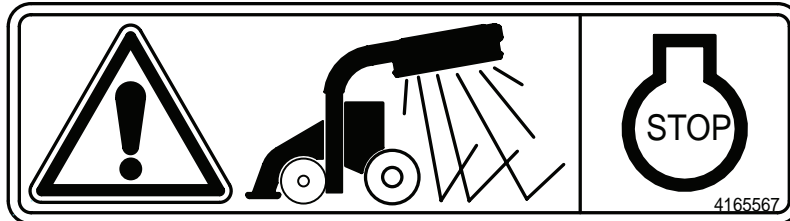
		→ Read and understand the operator manual. Pay particular attention to all sections regarding safety. Store your owners manual in a safe place.
		→ Wear eye and ear protection. Wear Respiratory Equipment to protect yourself from breathing dust.
		→ Before performing any service or maintenance, disconnect spark plug wire. Make sure engine switch is in the OFF (O) position.
		→ Caution: Contact with rotating fan will cause serious injury. Keep hands away from air intake and discharge areas.
		→ Caution: Thrown objects. Keep bystanders away. Do not blow towards people or items that may be injured or damaged by flying debris. Keep bystanders away.

4167369

# LITTLE WONDER PRO VAC

## SAFETY DECALS

An important part of the safety system incorporated in this unit are the warning labels found on the unit. Replace labels if damaged or illegible.



Thrown Object / Flying Debris Hazard  
 -Do not operate without properly attached bag.  
 -Stop engine before removing bag.



Rotating Blades:  
 CUT / AMPUTATION HAZARD  
 -Keep hands out of fan housing.  
 -Stop engine and remove spark plug wire before cleaning or servicing.

## UNPACKING THE UNIT

1. Remove Collector assembly, Nozzle assembly, and debris bag from the top section of the package.
2. Remove cardboard insert.
3. Cut away short side of the box and fold down.
4. Roll HPV base unit out of the box.

## ASSEMBLY (See Figures on page 11)

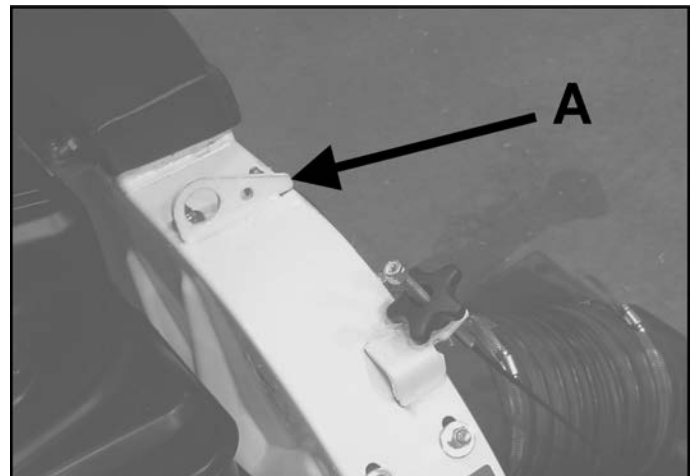
1. Attach the **collector assembly** to the base unit:
  - Bolt the collector assembly to the frame with 4 sets of bolts, nuts, and 3 washers. Attach rope guide with upper right bolt.
  - Slide the rectangular end of the collector over the housing and mount the flange with 2 sets of washers and nuts.
2. Attach the throttle cable bracket to the handle with a 1/4-20 thread rolling screw A. Tighten until snug, but do not overtighten. Install throttle cable assembly to handle with 1/4-20x2 bolt, 2 washers, and 1/4 nylon locknut.
  - Secure throttle cable to handle with **cable ties** in 2 places.
3. Install the **band clamp** into the **debris bag** (wear gloves when handling band clamp):
  - Slide the bracket end of the band clamp through the left side opening of the sleeve on the debris bag until it emerges from the right side.
  - Feed the tail end of the band (on the clasp side) behind the bracket in the sleeve.
  - Pinch the wire form on the clasp together and connect it through 2 holes in the adjustment bracket such that it will close tightly over the collector.
4. Connect the **debris bag** by placing it over the bottom lip of the **collector** and closing the clasp to secure the bag. Adjust the clasp wire form to the appropriate hole position on the bracket to insure a tight fit. If the bag will not fit tight within the range of the 3 adjustment holes, insert the bag **seal strap**:
  - Unhook the wire form from the bracket.
  - Pull the tail end of the band back out from behind the bracket.
  - Feed one end of the **seal strap** behind the metal band and through the channel to the other side.
  - Tuck the other end of the **seal strap** behind the bracket (overlapping the lead end of the **seal strap**).
  - Feed the tail end of the **band clamp** behind the bracket (overlap the **seal strap**).

- Connect the wire form to the appropriate holes in the bracket and secure the debris bag to the collector.

5. Attach **nozzle assembly** to base unit:
  - Attach one end of the **hose** to the nozzle assembly with the **bridge clamp Assembly**.
  - Slide the other end of the **hose** over the edge of the inlet on the **front plate**.
  - Hook one side of the **nozzle bracket** over the front axle.
  - Bend the other end of the nozzle bracket inward to hook it over the axle and engage the pins on the **wheel bracket** with the slots on the **nozzle bracket**.
  - Secure the hose to **front plate** inlet with the **bridge clamp**.
  - Attach the **nozzle cable** end fitting through the hole in the **nozzle bracket**.
6. To remove **nozzle assembly** (for purposes of storage, or clearing blockages):
  - Turn engine off and disconnect spark plug.
  - Loosen **hose clamp** on the **front plate** with flathead screwdriver or 5/16 wrench.
  - Slide hose off of **front plate** inlet.
  - Bend one side of **nozzle bracket** inward and twist the **assembly** to remove the hook from the axle.
  - Twist back and lift to remove the other side of **nozzle bracket** from the axle.

## LIFTING LUG

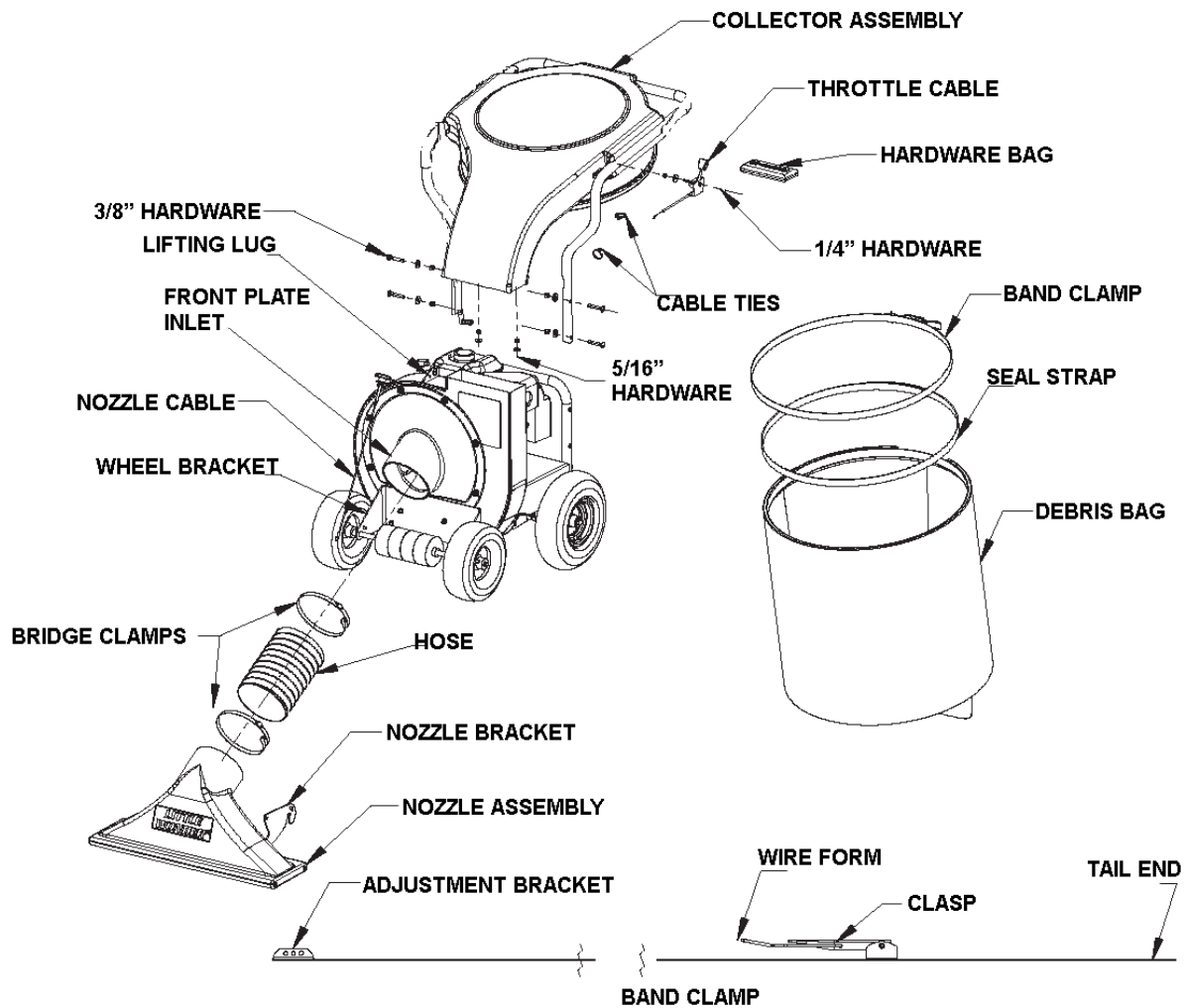
The Little Wonder Pro Vac includes a convenient lifting lug **A** on top of the fan housing that can be used to lift the unit. This lug can only hold up to a total of 250 lbs (115 kg).





# LITTLE WONDER PRO VAC

# SET-UP INSTRUCTIONS

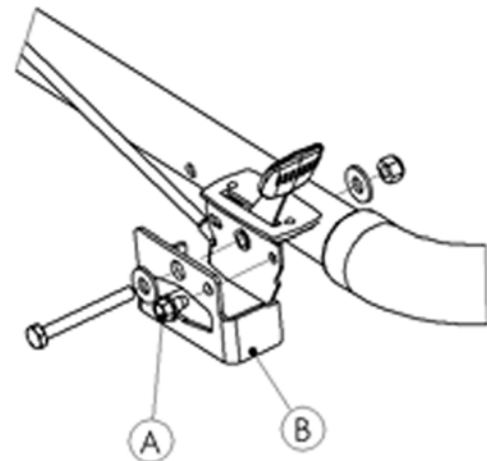


## ROPE GUIDE

Attach the rope guide with the upper right bolt. Pull the starter rope out and route it through the rope guide.



## THROTTLE BRACKET ASSY.



## FAN REMOVAL AND INSTALLATION

**Remove spark plug wire from spark plug.**

**Remove nozzle assembly.**

**Remove front plate assembly.**

**Remove the bolt that secures the fan to the engine crankshaft.**

The fan has a 3/4-16 nut welded on fan hub. Turn a 3/4-16 x 5" long grade 5 (or better) bolt into the nut to jack or push the fan off the engine. (Schiller Grounds Care, Inc. P/N 910515 Bolt-Jack Fan is recommended.)

Replace damaged or worn fan with a new one. If during fan removal the key (#64164-13) was removed from the keyway, reinstall it by applying a few drops of the Loctite 380 instant adhesive ("Black Max" P/N 38050) on the key, and load the key in the keyway of the shaft. (Cure time is approx. 1 min.)

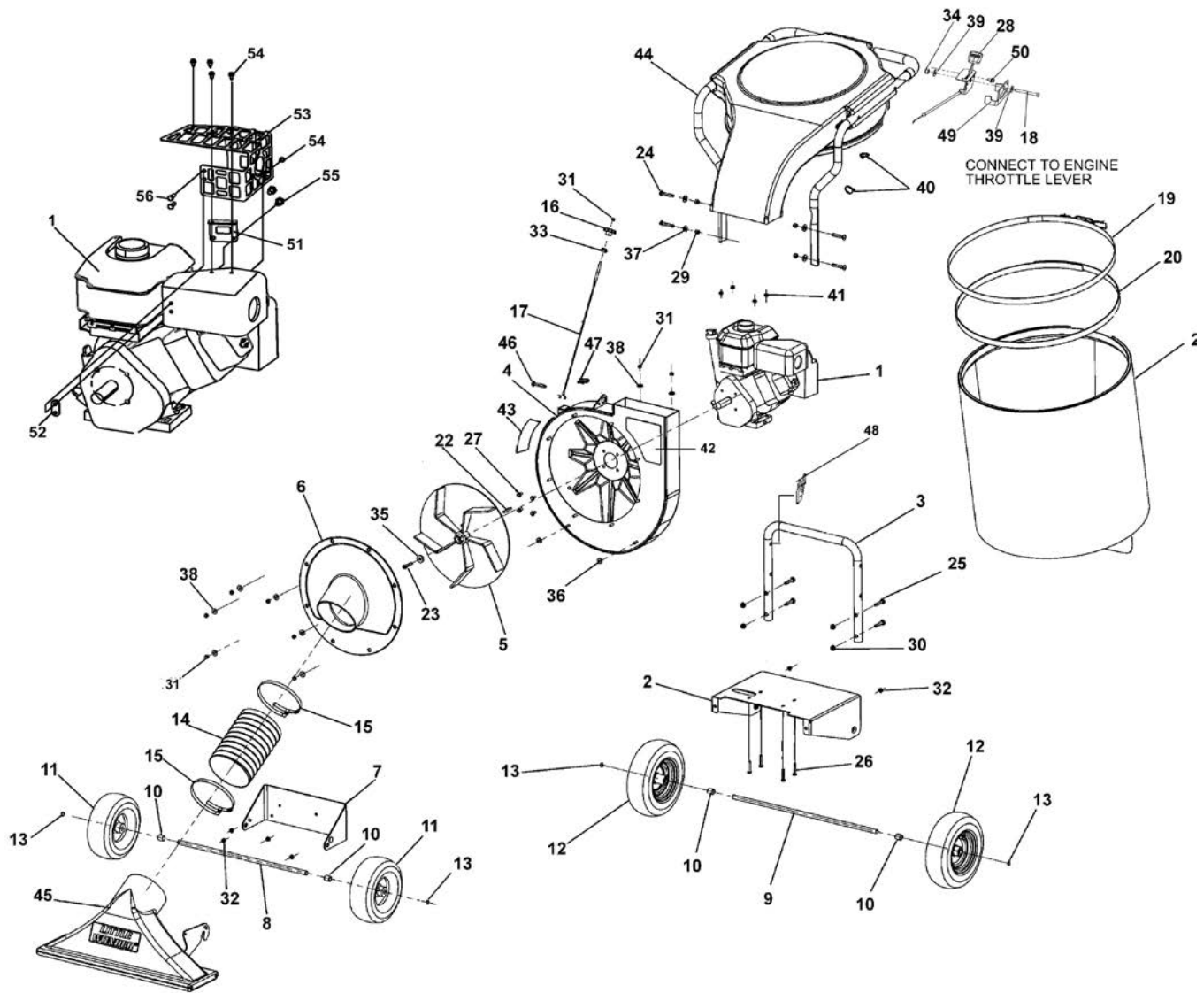
Use a new bolt (#64123-127) (add Loctite 242 to new bolt) and washer (#910527) and complete fan installation. Insure a secure fit upon re-assembling. Torque bolt to 39-51 Ft. lbs.



# PARTS ASSEMBLY

FIGURE 1

# LITTLE WONDER PRO VAC



# LITTLE WONDER PRO VAC

# PARTS ASSEMBLY

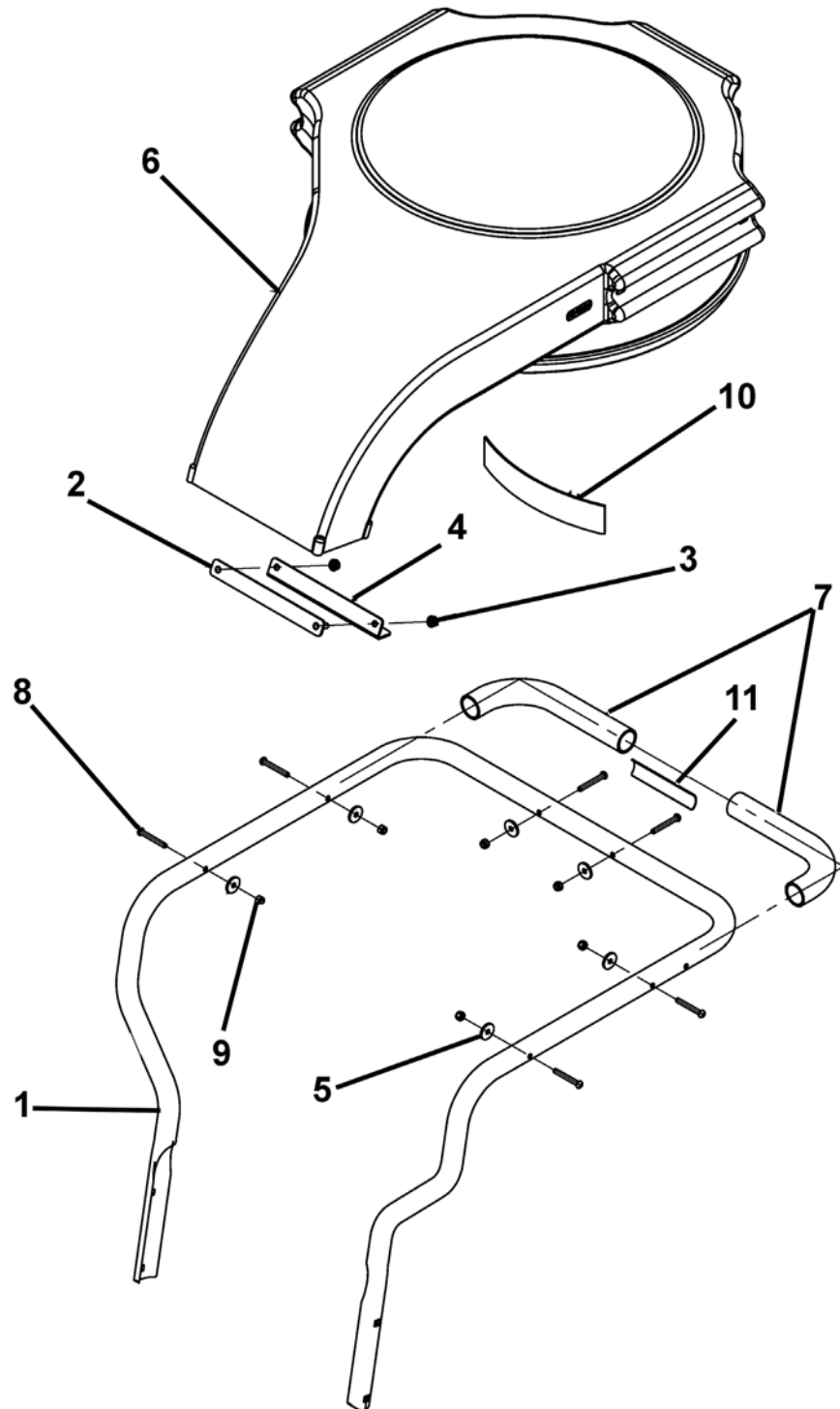
## FIGURE 1

ITEM	PART NO.	DESCRIPTION	QTY	ITEM	PART NO.	DESCRIPTION	QTY
1	4166004	ENGINE-6.5 HP INTEK	1	35	910527	WASHER-FAN	1
2	600180.17	DECK-HPV, 6 HP	1	36	64163--46	WASHER-3/8 ID X 3/16 TH	4
3	600184.17	HANDLE MOUNT	1	37	64163-31	WASHER-3/8	4
4	4171304	S-HOUSING VAC CE	1	38	64163-29	WASHER-25/64x1x12GA	10
5	600114	IMPELLER-BALANCED	1	39	64163-55	WASHER-1/4	4
6	600198	PLATE-FRONT	1	40	720411	CABLE TIE-11-5/8 BLK	2
7	600182.17	BRACKET-FRONT WHEELS	1	41	64268-02	NUT-NYLON LOCK 5/16-18	4
8	600297	AXLE-FRONT	1	42	4171001	LABEL-INTAKE WARNING	1
9	600298	AXLE-REAR	1	43	4167414	LABEL-WARNING MANUAL	1
10	600137	SPACER-WHEEL	4	44	600101	ASSY-COLLECTOR	1
11	4164205	WHEEL-10"	2	45	600100	ASSY-NOZZLE	1
12	4164204	WHEEL-12"	2	46	64188-65	PIN-CLEVIS 1/4X.62	1
13	600562	RETAINING RING E 5/8	4	47	64168-2	COTTER-HAIRPIN .08X1.19	1
14	600102	HOSE-NOZZLE	1	48	4166365.17	WLDMT-ROPE GUIDE	1
15	720420	BRIDGE CLAMP-HOSE	2	49	4166661.7	BRKT-THROTTLE, VAC	1
16	600162	KNOB-NOZZLE CNTRL	1	50	64152-23	SCREW-SP 1/4-20 X 3/8	1
17	4165925	CABLE-NOZZLE VAC	1	51	4166384.7	BRKT-MUFFLER GUARD	1
18	64123-113	BOLT-HEX, 1/4-20 X 2-1/4	1	52	4166383.7	SPACER-MUFFLER GUARD	1
19	600176	CLAMP-BAND	1	53	4166382.7	GUARD-MUFFLER B&S	1
20	600196	BAG-SEAL STRAP	1	54	64152-56	SCREW-HS STAP #12X1/2	5
21	600177	DEBRIS BAG	1	55	64205-013	BLT-METRIC M6-1X12	2
22	64164-13	KEY-1/4" SQ X 2" LG	1	56	64205-021	BLT-METRIC M6-1X16	2
23	64123-127	BOLT-3/8-24 X 1-3/4	1				
24	600504	BOLT-CRG 3/8-16 X 2-1/4	4				
25	64018-18	BOLT-CRG 3/8-16 X 2	4				
26	64262-009	BOLT-FLGHD 5/16-18 X 1-1/2	4				
27	910503	BOLT-5/16-24 X 3/4	4				
28	4166366-01	CABLE-THROTTLE	1				
29	64229-03	LOCKNUT-3/8-16	4				
30	64141-4	NUT-FLANGE 3/8-16	4				
31	64229-02	LOCKNUT-5/16-18	9				
32	64141-6	NUT-FL 5/16-18	6				
33	64214-01	NUT-WING 5/16-18	1				
34	64229-01	LOCKNUT-1/4-20	1				

# COLLECTOR ASSEMBLY

# LITTLE WONDER PRO VAC

FIGURE 2



# LITTLE WONDER PRO VAC

# COLLECTOR ASSEMBLY

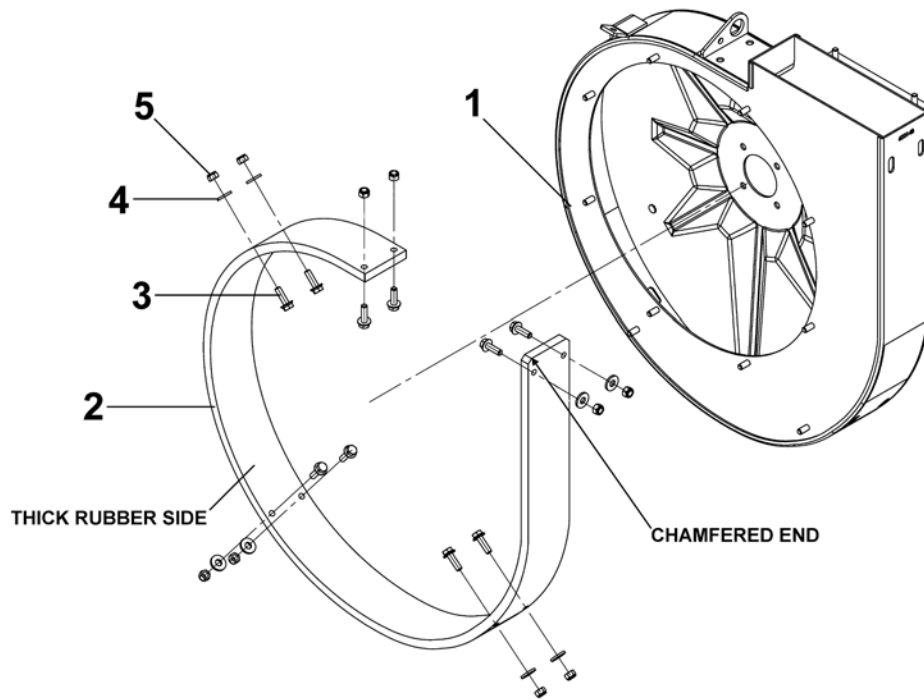
FIGURE 2

ITEM	PART NO.	DESCRIPTION	QTY	ITEM	PART NO.	DESCRIPTION	QTY
1	4167564	S-HANDLE eu	1				
2	600142.7	FLANGE CLAMP PLATE	1				
3	64141-6	NUT-5/16-18	2				
4	600138.7	FLANGE ANGLE COLLECTOR	1				
5	64163-34	WASHER-1/4 COLLECTOR	6				
6	600101	DISCHARGE COLLECTOR	1				
7	600153	GRIP	2				
8	600509	BOLT-BUTTON1/4-20 X 2	6				
9	644229-01	LOCKNUT-1/4-20	6				
10	600161	HOOK STRIP	1				
11	4165567	LABEL-VAC BAG WARN	1				

# LINER ASSEMBLY

# LITTLE WONDER PRO VAC

FIGURE 3





# LITTLE WONDER PRO VAC

# LINER ASSEMBLY

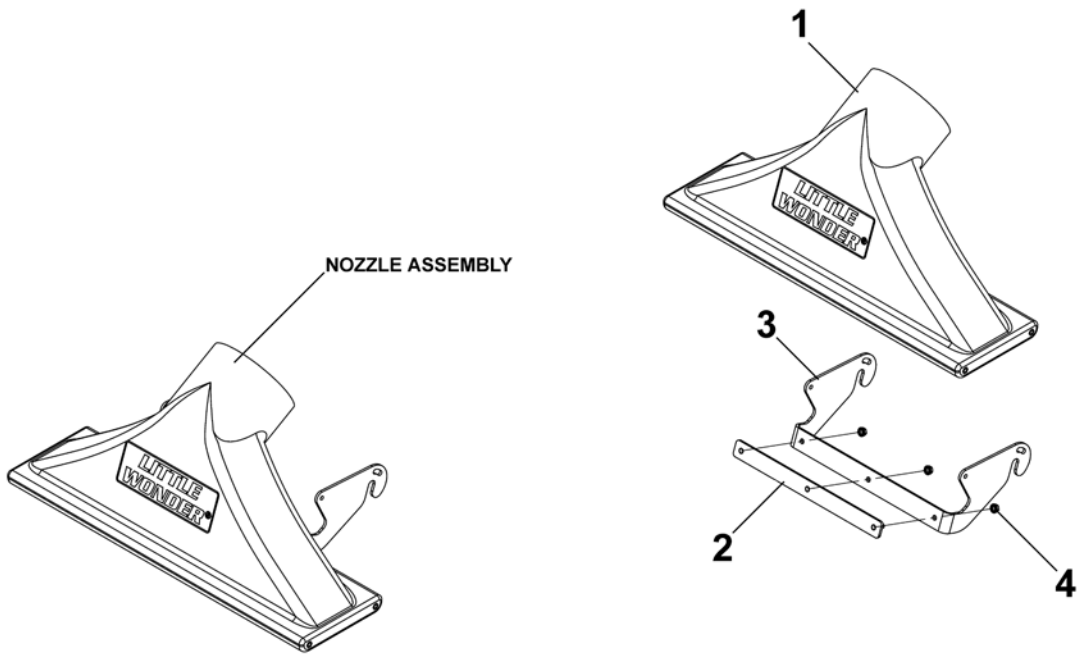
FIGURE 3

ITEM	PART NO.	DESCRIPTION	QTY	ITEM	PART NO.	DESCRIPTION	QTY
1	4171304	S-HOUSING ASSY CE	1				
2	600175	LINER	1				
3	720592	BOLT-5/16-18 X 1	10				
4	64163-29	WASHER-25/64 X 1 X 12GA	8				
5	64229-02	LOCKNUT-5/16-18	10				

# NOZZLE ASSEMBLY

# LITTLE WONDER PRO VAC

FIGURE 4



# LITTLE WONDER PRO VAC

# NOZZLE ASSEMBLY

FIGURE 4

ITEM	PART NO.	DESCRIPTION	QTY	ITEM	PART NO.	DESCRIPTION	QTY
1	600100	NOZZLE	1				
2	600133.7	ASSY-NOZZLE CLMP PLATE 1	1				
3	600183.17	BRKT-NOZZLE VER. 2"	1				
4	64141-6	NUT-FL 5/16-18	3				



## 2 YEAR LIMITED SERVICE AND WARRANTY POLICY FOR LITTLE WONDER HIGH PERFORMANCE VACUUMS

All Little Wonder High Performance Vacuums are warranted against defects in material and workmanship for a period of two (2) years from the date of purchase, under the following terms and conditions.

LITTLE WONDER will repair or replace, at its option, any part or parts of the product found to be defective in material or workmanship during the warranty period. Warranty repairs and replacements will be made without charge for parts or labor. All parts replaced under warranty will be considered as part of the original product, and any warranty on the replaced parts will expire coincident with the original product warranty. If you think your LITTLE WONDER High Performance Vacuum is defective in material or workmanship, you must return it to a registered dealer with a valid sales receipt or to our factory at 1028 Street Rd., Southampton, PA 18966. Transportation charges to ship your product to us or a registered dealer must be borne by you.

Engines for all gasoline powered products are warranted separately by the engine manufacturer. Therefore, there are no warranties made, expressed or implied, for engines for gasoline powered products by LITTLE WONDER.

LITTLE WONDER assumes no responsibility in the event that the product was not assembled or used in compliance with any assembly, care, safety or operating instructions contained in the Owner's Manual or information accompanying the product. This limited warranty does not cover damages or defects due to normal wear and tear, lack of reasonable and proper maintenance, failure to follow operating instructions or Owner's Manual, misuse, lack of proper storage or accidents, nor does it cover routine maintenance parts and service. This limited warranty does not cover any defects due to repairs or alterations made to the product made by anyone other than LITTLE WONDER or its registered dealers.

You must maintain your LITTLE WONDER High Performance Vacuum by following the maintenance procedures described in the owner's manual. Such routine maintenance, whether performed by you or a registered dealer, is at your expense.

LITTLE WONDER MAKES NO EXPRESS OR IMPLIED WARRANTIES REPRESENTATIONS OR PROMISES EXCEPT THOSE CONTAINED HEREIN. THERE ARE NO OTHER WARRANTIES, INCLUDING WARRANTIES OF MERCHANTABILITY AND FITNESS FOR A PARTICULAR PURPOSE. ALL WARRANTIES OTHER THAN THE EXPRESS WARRANTY SET FORTH ABOVE ARE SPECIFICALLY DISCLAIMED. THE DURATION OF ANY IMPLIED WARRANTY, INCLUDING MERCHANTABILITY AND FITNESS FOR A PARTICULAR PURPOSE, IS LIMITED TO THE DURATION OF THIS WRITTEN LIMITED WARRANTY. LITTLE WONDER DISCLAIMS ALL LIABILITY FOR INDIRECT, INCIDENTAL AND/OR CONSEQUENTIAL DAMAGES IN CONNECTION WITH THE USE OF THE LITTLE WONDER HIGH PERFORMANCE VACUUM PRODUCTS COVERED BY THIS WARRANTY. SOME STATES DO NOT ALLOW LIMITATIONS ON HOW LONG AN IMPLIED WARRANTY LASTS AND/OR DO NOT ALLOW THE EXCLUSION OR LIMITATION OF INCIDENTAL OR CONSEQUENTIAL DAMAGES, SO THAT ABOVE LIMITATIONS AND EXCLUSIONS MAY NOT APPLY TO YOU. THIS WARRANTY GIVES YOU SPECIFIC LEGAL RIGHTS, AND YOU MAY ALSO HAVE OTHER RIGHTS WHICH VARY FROM STATE TO STATE.

**LITTLE WONDER**  
**SCHILLER GROUNDS CARE, INC.**  
**1028 STREET ROAD, P.O. BOX 38**  
**SOUTHAMPTON, PA 18966**  
**PHONE: 877-596-6337 • FAX: 215-357-8045**  
**877 - LWONDER**  
**[www.littlewonder.com](http://www.littlewonder.com)**