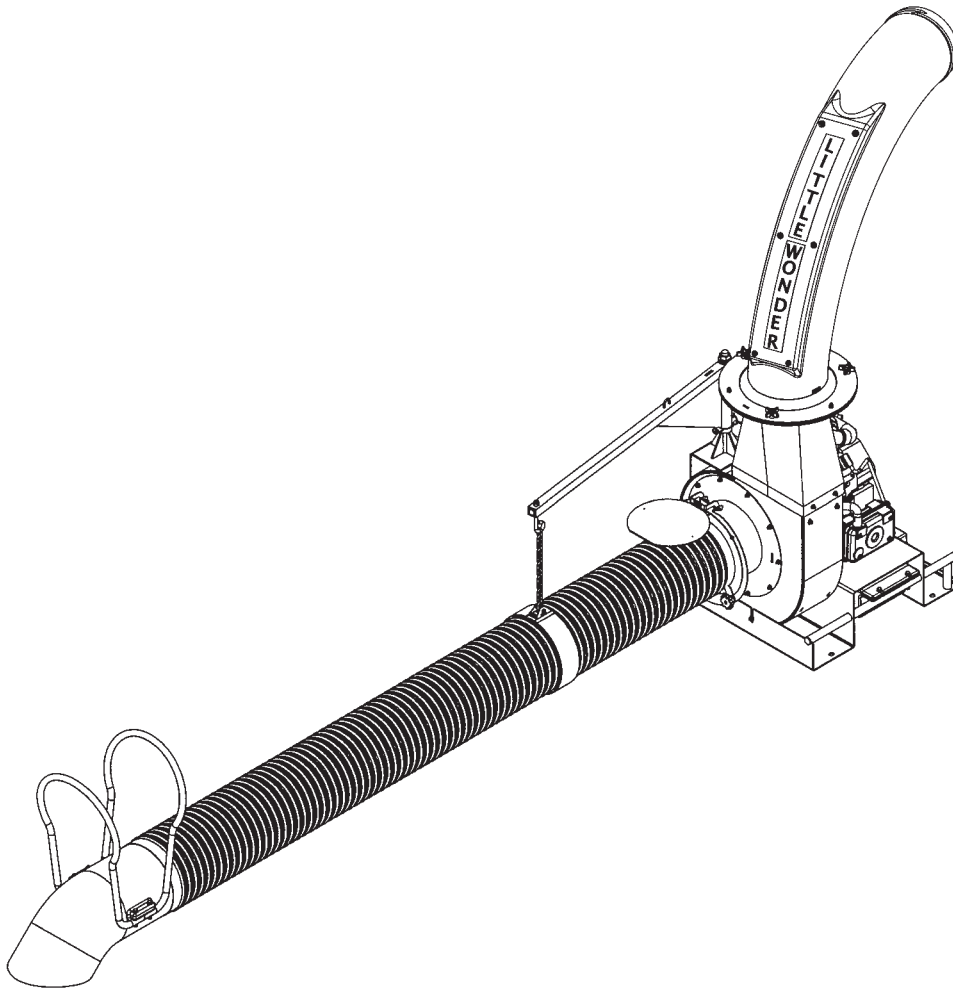


***LITTLE WONDER<sup>®</sup> Shredding***  
***Truck Loader***

**MODELS: 8221-00-59**  
22HP KOHLER

**8271-00-59**  
27HP KOHLER



**MAN 4165537**

Rev. A 06-2010

Original Language Instructions



**SCHILLER**

**GROUNDS  
CARE**

---

**OPERATOR'S MANUAL**

**CALIFORNIA**

**Proposition 65 Warning**

Diesel engine exhaust and some of its constituents are known to the State of California to cause cancer, birth defects and other reproductive harm.

**⚠ WARNING**

The engine exhaust from this product contains chemicals known to the State of California to cause cancer, birth defects or other reproductive harm.

**CALIFORNIA**

**Proposition 65 Warning**

Battery posts, terminals, wiring insulation, and related accessories contain lead and lead compounds, chemicals known to the State of California to cause cancer and birth defects or other reproductive harm.  
**WASH HANDS AFTER HANDLING.**

# LITTLE WONDER TRUCKLOADER

## IMPORTANT MESSAGE

Thank you for purchasing this Schiller Grounds Care, Inc. product. You have purchased a world class product, one of the best designed and built anywhere.

This machine comes with a Operation and Safety Manual and Parts Manual. The useful life and good service you receive from this machine depends to a large extent on how well you read and understand this manual. Treat your machine properly, lubricate and adjust it as instructed, and it will give you many years of reliable service.

Your safe use of this Schiller Grounds Care, Inc. product is one of our prime design objectives. Many safety features are built in, but we also rely on your good sense and care to achieve accident-free operation. For best protection, study the manual thoroughly. Learn the proper operation of all controls. Observe all safety precautions. Follow all instructions and warnings completely. Do not remove or defeat any safety features. Make sure those who operate this machine are as well informed and careful in its use as you are.

See a Schiller Grounds Care, Inc. dealer for any service or parts needed. Schiller Grounds Care, Inc. service ensures that you continue to receive the best results possible from Schiller Grounds Care, Inc. products. You can trust Schiller Grounds Care, Inc. replacement parts because they are manufactured with the same high precision and quality as the original parts.

Schiller Grounds Care, Inc. designs and builds its equipment to serve many years in a safe and productive manner. For longest life, use this machine only as directed in the manual, keep it in good repair and follow safety warnings and instructions. You'll always be glad you did.

**Schiller Grounds Care, Inc.**  
**1028 Street Road**  
**Southampton, PA 18966-4227 U.S.A.**

<b>TABLE OF CONTENTS .....</b>	<b>PAGE</b>
SAFETY .....	2-4
LABELS .....	5,6
SET-UP .....	7
CONTROLS .....	8
OPERATION .....	9-10
MAINTENANCE / SERVICE .....	11
STORAGE .....	12
DECLARATION OF CONFORMITY .....	13
WARRANTY .....	BACK COVER

**NOTICE !!!**

Unauthorized modifications may present **extreme** safety hazards to operators and bystanders and could also result in product damage.

Schiller Grounds Care, Inc. strongly warns against, rejects and disclaims any modifications, add-on accessories or product alterations that are not designed, developed, tested and approved by Schiller Grounds Care, Inc. Engineering Department. Any Schiller Grounds Care, Inc. product that is altered, modified or changed in any manner not specifically authorized after original manufacture—including the addition of “after-market” accessories or component parts not specifically approved by Schiller Grounds Care, Inc. will result in the Schiller Grounds Care, Inc. Warranty being voided.

Any and all liability for personal injury and/or property damage caused by any unauthorized modifications, add-on accessories or products not approved by Schiller Grounds Care, Inc. will be considered the responsibility of the individual(s) or company designing and/or making such changes. Schiller Grounds Care, Inc. will vigorously pursue full indemnification and costs from any party responsible for such unauthorized post-manufacture modifications and/or accessories should personal injury and/or property damage result.



This symbol means:  
**ATTENTION!**  
**BECOME ALERT!**

Your safety and the safety of others is involved.

**Signal word definitions:**

The signal words below are used to identify levels of hazard seriousness. These words appear in this manual and on the safety labels attached to Schiller Grounds Care, Inc. machines. For your safety and the safety of others, read and follow the information given with these signal words and/or the symbol shown above.

**⚠ DANGER**

**DANGER** indicates a hazardous situation which, if not avoided, **WILL** result in death or serious injury.

**⚠ WARNING**

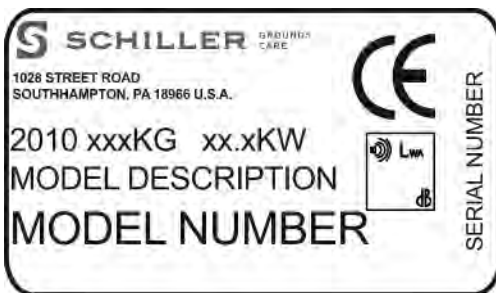
**WARNING** indicates a hazardous situation which, if not avoided, **COULD** result in death or serious injury.

**⚠ CAUTION**

**CAUTION** indicates a hazardous situation which, if not avoided, **COULD** result in minor or moderate injury. It may also be used to alert against unsafe practices or property damage.

**CAUTION**

**CAUTION** used without the safety alert symbol indicates a potentially hazardous situation which, if not avoided, **MAY** result in property damage.



**MODEL NUMBER:** This number appears on sales literature, technical manuals and price lists.

**SERIAL NUMBER:** This number appears only on your mower. It contains the model number followed consecutively by the serial number. Use this number when ordering parts or seeking warranty information.

## PREPARING FOR SAFE OPERATION

### Operator preparation and training

#### Read the Operation & Safety Manual

- If an operator or mechanic cannot read the language of this manual, it is the owner's responsibility to explain this material to them. If any portion of this material is unclear, contact your factory representative for clarification.
- Become familiar with the safe operation of the equipment, operator controls and safety signs. Be prepared to stop the engine quickly in an emergency. Do not operate or allow another person to operate this machine if there are any questions about safety.
- All operators and mechanics should be trained. The owner is responsible for training the users.
- Wear appropriate clothing, including gloves. Wear substantial skid resistant footwear. Do not operate barefoot or wearing open sandals. Long hair, loose clothing or jewelry may get tangled in moving parts.
- Wear hearing protection.
- Wear safety glasses.
- Wear a dust mask to avoid breathing dust.
- Never allow underage children, unskilled or improperly trained people to operate this equipment. Local regulations can restrict the age of the operator.
- Keep warning labels and this operator's manual legible and intact. Replacement labels and manuals are available from the factory.
- Do not operate machine while under the influence of drugs or alcohol.
- The owner/user can prevent and is responsible for accidents or injuries occurring to themselves, other people or property.



#### SITE PREPARATION AND CIRCUMSTANCES

- Evaluate the terrain to determine how to safely perform the job. Only use accessories and attachments approved by the manufacturer.
- Be sure the area is clear of pets and people, especially young children. Never assume they will remain where you last saw them. Stop the machine if any enter the area.

## MACHINE PREPARATION

- Do not tamper with or defeat safety devices. Keep guards, shields and interlock safety devices in place and in proper working condition. They are for your protection.
- Keep all fasteners such as nuts, bolts and pins well secured.
- Verify that machine and attachments, if any, are in good operating condition.
- Do not start engine until ready to load debris.

## STARTING

- Start according to instructions in this manual or on the machine.
- When starting the engine, make sure hands and feet are clear of the impeller.
- Do not change engine governor settings or overspeed the engine. Operating the engine at excessive speed can increase the hazard of personal injury.

## INTERRUPTING OPERATION

- Before leaving the operator's position:
  - Shut off the engine.
- Stop the engine and disconnect the spark plug wire(s):
  - before clearing blockages;
  - before checking, cleaning or working on the machine;
  - after striking a foreign object. Inspect the machine for damage and make repairs before restarting;
  - if the machine begins to vibrate abnormally: shut off machine immediately. Inspect and make repairs as needed before restarting;
  - except for repairs or adjustments as specifically noted, such as for carburetor adjustment, where the engine must be running. Keep hands and feet clear of moving parts in these circumstances.
- Allow the fan to come to a complete stop when stopping operation to clear blockages, unclog, inspect the machine, do maintenance or repair.
- Reduce the throttle setting during engine shut-down and, if the engine is provided with a shut-off valve, turn the fuel off at the conclusion of operation.

## MAINTENANCE SAFETY

### In general

- Maintain machine according to manufacturer's schedule and instructions for maximum safety and best results.
- Park supporting vehicle on level ground.
- Never allow untrained personnel to service machine.
- Adjust or repair only after the engine has been stopped and the fan has stopped moving.
- Replace parts if worn, damaged or faulty. For best results, always replace with parts recommended by the manufacturer.
- Do not dismantle the machine without releasing or restraining forces which may cause parts to move suddenly.
- Provide adequate support, e.g. jack stands for lifted machine or parts if working beneath.
- Do not put hands or feet near or under rotating parts.
- Clean up spilled oil or fuel thoroughly.
- Replace faulty mufflers.
- To reduce fire hazards, keep the engine, muffler, and fuel storage area free of grass, leaves, debris buildup or grease.

### MAINTENANCE AND ADJUSTMENTS

- Disconnect spark plug wire(s) before doing any maintenance.
- Particular care must be taken when adjusting the carburetor while the engine is running. Keep hands and feet clear. Shut off blades.
- When working underneath lifted parts or machines, make sure adequate support is provided.
- Keep all nuts, bolts and screws tight to be sure the equipment is in safe working condition.

### Fuel

- Petrol (gasoline) and diesel fuels are flammable; petrol (gasoline) vapors are explosive. Use extra care when handling.
- Store only in containers specifically designed for fuel.
- When refueling or checking fuel level:
  - Stop the engine and allow to cool;
  - Do not smoke;
  - Refuel outdoors only;
  - Use a funnel;
  - Do not overfill;

#### WARNING



- If fuel is spilled, do not attempt to start the engine until the spill is cleaned up and vapors have cleared.

Sparks from static electricity can start fires or cause explosions. Flowing fuel can generate static electricity.

To prevent static electricity sparks:

- Keep containers electrically grounded. Do not fill containers in a vehicle or on a truck or trailer bed with a plastic liner. Fill containers on the ground away from the vehicle.
- When practical, remove petrol (gasoline) powered equipment from the truck or trailer and refuel it on the ground. If equipment must be refueled on the truck or trailer, refuel from a portable container rather than a dispenser nozzle.
- Keep the dispenser nozzle in contact with the rim of the fuel tank or container opening until fueling is complete. Do not use a nozzle lock-open device.
- Replace caps on fuel cans and tanks securely.
- If fuel is spilled on clothing change it immediately.

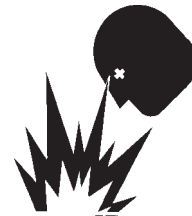
### BATTERY

Battery acid is caustic and fumes are explosive and can cause serious injury or death.

To reduce the risk of personal injury when working near a battery:

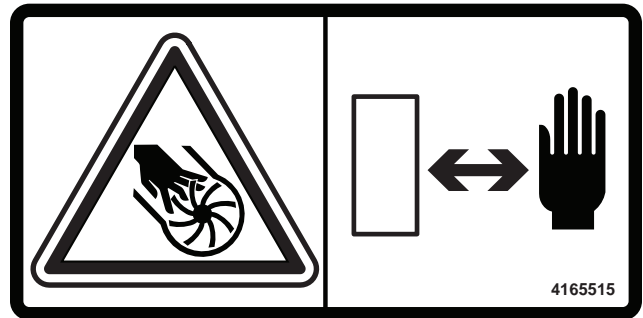
- When working with battery acid, use protective equipment such as, but not limited to, goggles, face shield, rubber gloves and apron.
- Avoid leaning over a battery.
- Do not expose a battery to open flames or sparks.
- Be sure batteries with filler caps are properly filled with fluid.
- Do not allow battery acid to contact eyes or skin. Flush any contacted area with water immediately and get medical help.
- Charge batteries in an open, well ventilated area, away from sparks and flames. Unplug charger before connecting or disconnecting from battery.

#### WARNING



### STORAGE SAFETY

- Stop the engine and allow to cool before storing.
- Drain the fuel tank outdoors only.
- Store fuel in an approved container in a cool, dry place.
- Keep the machine and fuel containers in a locked storage place to prevent tampering and to keep children from playing with them.
- Do not store the machine or fuel container near heating appliances with an open flame, such as a water heater, or an appliance with a pilot light.
- Keep gasoline storage area free of grass, leaves and excessive grease to reduce fire hazard.
- Clean grass and debris from cutting units, drives, mufflers and engine to help prevent fires.



### ROTATING BLADES:

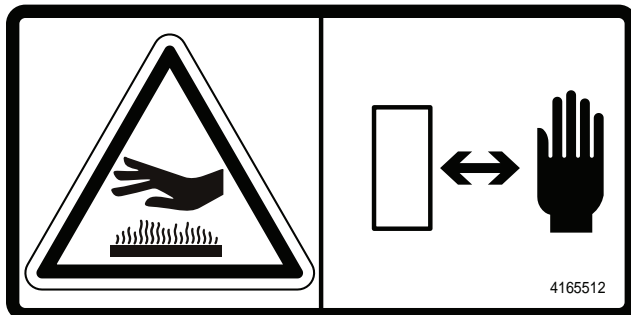
#### CUT / AMPUTATION HAZARD

- Keep hand out of blower housing.
- Stop engine and remove spark plug wire before cleaning or servicing.



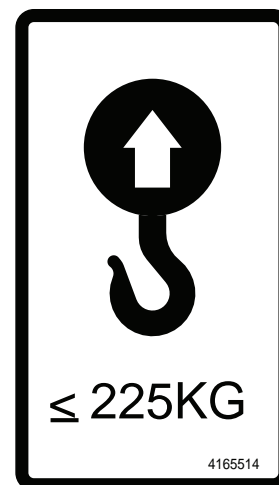
### THROWN OBJECT HAZARD:

- Keep bystanders at least 15m away.
- Direct discharge into a suitable receptacle.



### HOT SURFACE: BURN HAZARD

- Keep a safe distance.
- Allow to cool before servicing.



### LIFT POINT:

- Do not exceed 225kg.



Rotating Fan:  
CUT / AMPUTATION  
HAZARD  
-Keep hands and and other  
body parts out of blower  
housing.

Thrown Object Hazard:  
-Keep bystanders away.  
-Direct discharge into a  
suitable receptacle.

Before Servicing:  
-Stop engine.  
-Remove key (if applicable).  
-Remove spark plug wire(s).

Wear Personal Protective  
Equipment to protect your  
eyes and hearing.  
  
Wear Respiratory Equip-  
ment to protect yourself  
from breathing dust.

-Read, understand and  
obey Operator Manual.  
  
-Pay particular attention  
to safety sections.  
  
-Store in a safe place.



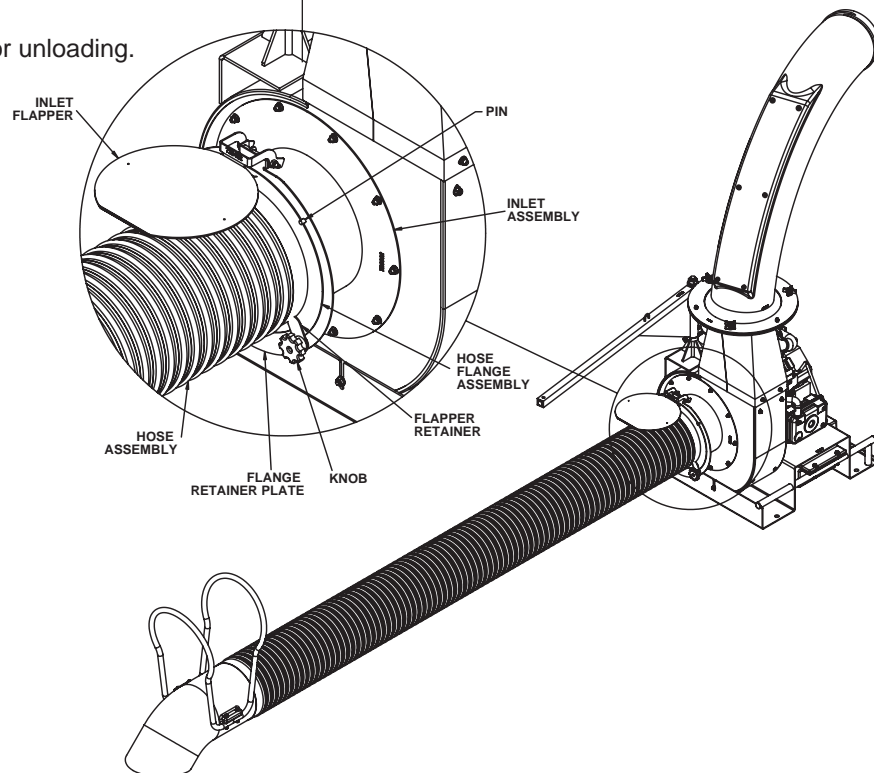
### DEBRIS RECEPTACLE

The Shredding Truckloader is intended to be used in conjunction with a truck or trailer mounted debris receptacle to load landscape debris for removal from a work site to storage, dump or processing site. These receptacles or debris bodies or boxes are provided by the user and are the responsibility of the user. Following are some considerations to keep in mind when designing / building, or buying a debris receptacle on a vehicle.

1. It must be road worthy.
2. It must be constructed sturdily enough to contain the high velocity and force of entering debris to prevent injury to bystanders and damage to property.
3. Sufficient screen area must be provided to allow the air produced by the truckloader to escape while containing the lighter debris. A bigger screen area reduces the speed of the air through the screen and helps reduce the amount of debris that will be held to the screen. The screen area should be in the last area to be fill so it stays clean. If the air cannot escape, the truckloader will not be able to generate a vacuum to pick up debris.
4. It should prevent the debris from blowing out during transport to an unloading site.
5. Provision must be made for unloading.

### Attaching the Hose

1. Loosen the knob and rotate the Flapper Retainer (720258.10) to allow the Inlet Flapper to be lifted upward.
2. Hold Inlet Flapper held upward, then install the Hose Assembly by inserting the flange of the Hose Flange Assembly into the space (gap) between the face of the Inlet Assembly Flange and the back face Flange Retainer Plate as shown. The retainer pin prevents the Hose Flange Assembly from sliding out.
3. Orient the Intake Nozzle to your preferred position and lock it in place with the two knobs attached to the Flange Retainer Plate and Flapper Retainer as shown. Tightening the knobs, it will push the flange of the Hose Flange Assembly against the flange of the Inlet Assembly and activate the Safety Switch Plate (720234.17). **THIS MUST BE DONE TO OPERATE THIS UNIT.**
4. Rotate to lock it in place.
5. Attach hose to boom arm chain with carabiner quick clip (720487).



## KEY SWITCH (A)

Turn clockwise to "START" position to start engine.  
Release key to turn to "RUN" position.  
Turn counter-clockwise to "STOP" the engine.

## THROTTLE (B)

Controls engine speed and the amount of air being blown.

## CHOKE (C)

Move to the "CHOKE" position to apply the choke.  
Move to the "RUN" position to remove the choke.

## HOSE ATTACHMENT

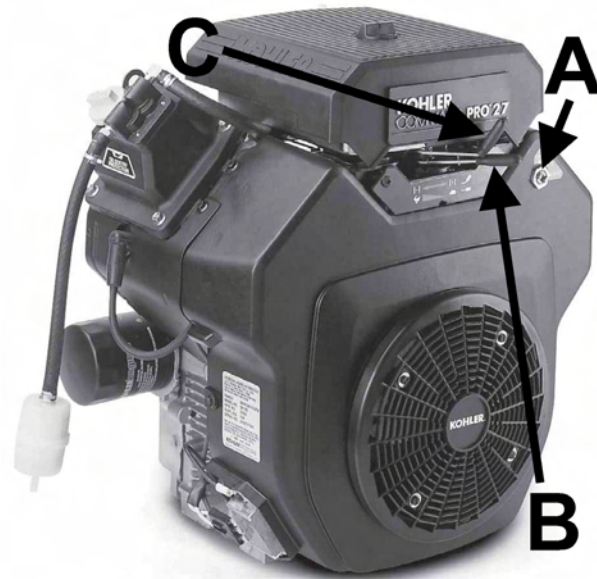
Allow the hose to be rotated and removed for transport. A switch stops the engine when the hose is removed. (Previous Page)

## BOOM ASSEMBLY

The hose boom assembly supports the hose while allowing it to move horizontally. (Previous Page)

## DISCHARGE CHUTE

The discharge chute can be turned to point in the desired direction. To turn the chute, loosen the knobs and turn the chute to the desired direction. Tighten the knobs to secure. (Previous Page)



## INTENDED USE

This unit is intended for vacuuming leaves, clippings and other similar sized organic material from the ground into a truck or trailer. Large sized or long stringy material will tend to clog.

Vacuuming sand, rocks, and hard litter will shorten the life of this machine and may damage the machine or parts of it.

## PRE-OPERATION CHECK LIST (OPERATOR'S RESPONSIBILITY)

- Review and follow all safety rules and safety decal instructions.
- Check that all safety decals are installed and in good condition. Replace if damaged.
- Check to make sure all shields and guards are properly installed and in good condition.
- Make sure the discharge chute and hose are installed.
- Check the hose, discharge chute, liners, and housing for wear. Do not operate if these parts are worn through. Replace or repair before operating.
- Check that all hardware is properly installed and secured.
- Check to be sure engine is free of dirt and debris. Pay particular attention to the cooling fins, governor parts and muffler. Clean air intake screen. Check air cleaner; service if necessary.
- Clean area around the oil fill dipstick. Remove dipstick and check to be sure oil is in operating range (between marks on dipstick). Add oil if necessary but **Do Not Overfill**. See engine manual for oil specifications. Install dipstick assembly firmly until cap bottoms out on tube. Dipstick assembly must always be secured into fill tube when engine is running.
- Inspect material to be vacuumed and remove stones, branches or other hard objects that might damage the machine or cause it to clog.
- Perform a functional check of the safety interlock system each time you operate the unit.

## OPERATION

- Fill fuel tank with good quality, clean, unleaded petrol (gasoline). Do not use hi-test fuel.
- Use a funnel to avoid spillage.

## OPERATOR PRESENCE INTERLOCK SYSTEM

The suction hose must be in place to start the engine and keep it running.

## WARNING

**Petrol (gasoline) is extremely flammable and highly explosive under certain conditions. BE SURE to install fuel cap after refueling.**



Fill fuel tank with good quality, clean, unleaded regular gasoline to the level recommended by the engine manufacturer.

## TO CHECK OR ADD FUEL:

- Use a funnel to avoid spilling.
- Do it outdoors.
- Do not smoke.
- Stop the engine; allow to cool.
- Do not overfill.
- Clean up spilled fuel.

## BEFORE STARTING THE ENGINE

1. Be familiar with the controls, how each functions, and what each operates.
- 2.. Check engine oil level. Add oil if necessary, following the engine manufacturer's recommendations. Refer to engine manual included with literature packet.

## STARTING THE ENGINE

1. Move the throttle to the half open position.
2. Move the choke to the ON position for cold starts. For warm starts attempt to start without the choke first to avoid flooding. If the engine does not start then use the choke.
3. Turn the key switch clockwise to the start position.
4. When the engine starts, release the key and gradually back off the choke until the engine runs with no choke.

## OPERATING

To vacuum debris, run the engine at maximum rpm. Hold the nozzle handle and move the intake nozzle in sweeping motions over the debris. Another method is to lay the nozzle on the ground and rake debris into the nozzle opening.

Move the nozzle to the debris, but do not block air flow into the nozzle. The air flow carries the debris.

Tip: Hose life may be increased by periodically loosening the hose clamps and rotating the hose so wear is more evenly distributed.

## EXCESSIVE VIBRATION

Shut off the engine immediately if abnormal/excessive vibration occurs. Remove spark plug wire. Find the cause of vibration and repair it. Some possible causes for excessive vibration are:

- Damaged impeller or talon ring.
- Loose impeller bolt
- Loose impeller key
- Lodged objects

## STOPPING THE ENGINE

When operation is complete or the unit needs to be checked or a clog needs to be cleared:

1. Move the throttle to SLOW.
2. Turn the key switch to the OFF position.

## CLOGS

To prevent clogs, do not overfeed, especially with heavy wet material.

Pay attention to how full the debris receptacle is. Overfilled debris receptacles cause material to back up and get tightly packed in the discharge chute.

## Clogged Hose

Often a clogged hose can be cleared by stretching the hose out straight with the engine running. If the hose does not clear, see Removing Clogs below.

## Removing Clogs

### **WARNING**

Before removing the hose or attempting to clear a clog manually:

- Stop the engine. Turn the key switch to the OFF position.
- Wait for the fan to come to a complete stop.
- Disconnect the spark plug wire so fan movement cannot accidentally start the engine.
- Wear gloves. There may be sharp materials in the clog.

Remove the hose from the blower inlet. If the hose is clogged manually clear it. If the blower is clogged it may be possible to remove the material through the inlet opening. If not, remove the nuts holding the inlet assembly to the housing and remove the inlet assembly to gain access. If the chute is clogged, it may be necessary to remove the chute for access to the clogged area.

## TRANSPORT

1. Shut off the engine by turning the key switch to the "OFF" position. Remove the key.
2. Wait for the fan to stop.
3. Disconnect the Carabiner from the hose band. Use it to clip the end of the chain to the link nearest the boom arm.
4. Rotate the boom arm to align the locking bosses on the arm and column. Secure the arm with the lynch pin to keep it from turning.
5. Check the chain to be sure it cannot swing and hit something. If necessary, secure it to the boom arm with a bungee cord.
6. Remove the hose assembly from the inlet flange assembly.
7. Close the flapper and flip the flapper retainer to secure the flapper. Lock the retainer in place by tightening the knob.
8. Remove the discharge chute from the truckloader housing.
9. Secure the removed parts in the transport vehicle.
10. Before moving a trailer mounted truckloader, be sure everything is properly secured for road travel, the trailer is properly connected physically and electrically to tow vehicle, and the safety chains are properly attached.

### DAILY MAINTENANCE

- Check operation of hose interlock switch.
  1. Start engine with hose properly installed.
  2. Loosen the knobs, start to remove it.
  3. The engine should stop running.
  4. Reinstall hose and tighten knobs.  
If the switch does not stop the engine, repair before attempting to use the machine.
- Inspect the hose, chute, chute liner, and blower housing liner for wear. Replace worn parts or have them repaired.
- Tighten any loose fasteners.

### CLEANING

Keep the area around the muffler and engine recoil cover /cooling air intake free of debris accumulation to prevent fires and keep the engine from overheating. These areas need to be monitored throughout the work day and may need to be cleaned several times daily depending on circumstances.

### ENGINE OIL

- Check the oil level daily.
- Change after the first day of operation and then according to the engine manual.
- See the engine manual for oil specifications and checking procedure.

### ENGINE AIR CLEANER

- Check and clean according to the engine manuals.
- Little Wonder recommends daily inspection and cleaning due to the extreme environment of debris handling.

## STORAGE

To prevent possible explosion or ignition of vaporized fuel, do not store equipment with fuel in tank or carburetor in an enclosure or enclosed area with an open flame (for example, a furnace or water heater pilot light.)

**Before the equipment is put into storage for any period exceeding 30 days, the following steps should be completed.**

1. Drain all fuel from the fuel tank and the fuel lines.
2. Start the engine and run until all the fuel is used from the carburetor float bowl and the engine stops.
3. While the engine is still warm, drain the crankcase oil and replace with the proper weight oil corresponding to the season the equipment will be used next.
4. Remove the spark plug and squirt a small amount of engine oil into the cylinder. Crank the engine several revolutions. Then, reinstall the spark plug.

Store the unit out of sunlight to prolong hose life.


**To put the equipment into service after an extended period of storage.**

1. Check for loose parts and tighten if necessary.
2. Fill the fuel tank and then check the engine oil level. Top off if necessary. See engine manual for details.
3. Start the engine and check for fuel leaks. Repair any leaks before operating the unit.


# LITTLE WONDER TRUCKLOADER

# EC DECLARATION OF CONFORMITY

The Undersigned Manufacturer:  
Schiller Grounds Care, Inc.  
One Bob-Cat Lane  
Johnson Creek, WI 53038

  
Chuck Clark  
Director of Operations  
Date: July 5th 2010

EU Authorized Representative:  
Earlsmere Limited  
Unit 18 Valley Road  
Station Road Industrial Estate  
Wombwell, Barnsley, South Yorkshire, S73 OBS UK

  
Jim White  
Managing Director  
Date: July 5th, 2010

Declare that the machine described below:

Make & Type	Little Wonder Truckloader Vacuum
Category	Leaf/Debris Vacuum
Series	8221
Engine	Kohler CH670
Speed	High idle governor setting 3750 rpm $\pm$ 50rpm
Net installed power	16.4KW (22 HP)

Declare that the machine described below:

Make & Type	Little Wonder Truckloader Vacuum
Category	Leaf/Debris Vacuum
Series	8271
Engine	Kohler CH740
Speed	High idle governor setting 3750 rpm $\pm$ 50rpm
Net installed power	20.1KW (27 HP)

Complies with the provisions of the following European directives and Amendments and the Regulations transposing it into national law.

Machinery Directive	2006/42/EC
EMC Directive	2004/108/EC
Noise in the Environment Directive	2000/14/EC
Vibration Directive	2002/44/EC
Non Road Emissions	2002/88/EC

Sound levels were determined in accordance with Directive 2000/14/EC and standards EN/ISO3744:1995 and ISO 11094:1991

Guaranteed Sound Power Level	Model 8221-00-59	116db
	Model 8227-00-59	119db
Sound Pressure	Model 8221-00-59	91db
	Model 8271-00-59	95db

Vibration <2.5m/s<sup>2</sup> Operator is isolated from machine vibration by the hose.

Intended Use and Limits:

This machine is intended for vacuuming leaves, grass clippings and other similar sized organic material from the ground into a truck or trailer. Large sized or long, stringy material will tend to clog. Vacuuming sand, rock, and hard litter will shorten the life of this machine and may damage the machine or parts of it.



2 YEAR LIMITED SERVICE & WARRANTY POLICY  
FOR SHREDDING TRUCKLOADER

The **Little Wonder** Shredding TruckLoader is guaranteed against defects in material and workmanship for a period of TWO YEAR from date of purchase, when used for RESIDENTIAL SERVICE, or COMMERCIAL SERVICE. Any **Little Wonder** Shredding TruckLoader or part found to be defective within the warranty period is to be returned to any registered **Little Wonder** Dealer.

Engines for all gasoline powered products are warranted separately by the engine manufacture for a period of a year. Therefore, there are no warranties made, expressed or implied, for engines for gasoline powered products by Little Wonder.

Transportation charges for parts and units submitted for replacement under this warranty must be borne by the purchaser.

THIS WARRANTY shall not be effective if the product has been subject to misuse, negligence or accident, or if the product has been repaired or altered outside of our Southampton factory in any respect which affects its condition or operation.

**Little Wonder** shall not be liable for any special indirect or consequential damages arising from defective equipment. Any implied warranty, including merchantability of fitness for a particular purpose, shall not extend beyond the written warranty period.

THIS WARRANTY shall only be effective if the enclosed Warranty/Registration card is properly filled out and returned to **Little Wonder**, Schiller Grounds Care, Inc. at time of purchase.

⚠ WARNING ⚠ DANGER ⚠

THE ENGINE EXHAUST FROM THIS PRODUCT  
CONTAINS CHEMICALS KNOWN TO THE STATE OF  
CALIFORNIA TO CAUSE CANCER, BIRTH DEFECTS  
OR OTHER REPRODUCTIVE HARM.

**LITTLE WONDER**<sup>®</sup>

Schiller Grounds Care, Inc.

1028 STREET ROAD, P.O. BOX 38

SOUTHAMPTON, PA 18966

PHONE 877-596-6337 • FAX 215-357-8045

877-LWONDER

[www.littlewonder.com](http://www.littlewonder.com)

P/N 4165537

06/2010